

Series image - Reference only

EU RoHS	China RoHS
ELV and RoHS Compliant	

Search Parts in this Series

[19069 Series](#)

Application Tooling

Global

Description

Crimp Head for the AT-200™ Pneumatic Hand Tool
Hand Crimp Tool

Product

[0640070100](#)
[0640030100](#)

Part Number: **0190690107**

Status: **Active**

Description: Krimptite™ Ring Tongue Terminal for 14-16 AWG Wire

Documents:

- [Drawing \(PDF\)](#)
- [Related Catalog Page \(PDF\)](#)

Order Products:

- [Check Distributor Inventory](#)
- [Request Samples](#)

Part Detail: [\(show all\)](#)

- o **General**
- o **Physical**
- o **Electrical**
- o **Material Info**
- o **Reference - Drawing Numbers**

General

Product Family	Ring and Spade Terminals
Series	<u>19069</u>
Material - Plating Mating	Tin
Mil-Spec	N/A
Plating min: Mating (uin)	100
Plating min: Mating (um)	2.5
Plating min: Termination (uin)	100
Plating min: Termination (um)	2.5
Product Name	Krimptite™
Type	Ring

Physical

Barrel Type	Closed
Insulation	None
Material - Metal	Copper
Packaging Type	Box
Stud Size	1/4" (M6)
Wire Size AWG	14
Wire Size AWG	16
Wire Size mm²	1.30 - 2.00

Electrical

CSA	LR18689
UL	E32244

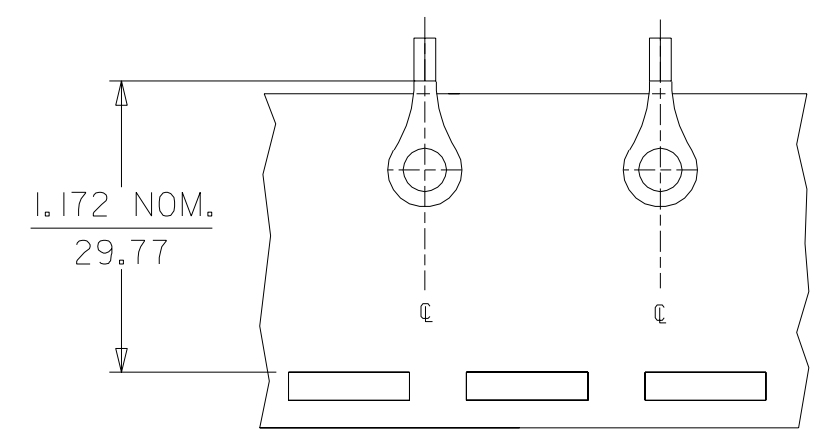
Material Info

Old Part Number	BB-125-14
-----------------	-----------

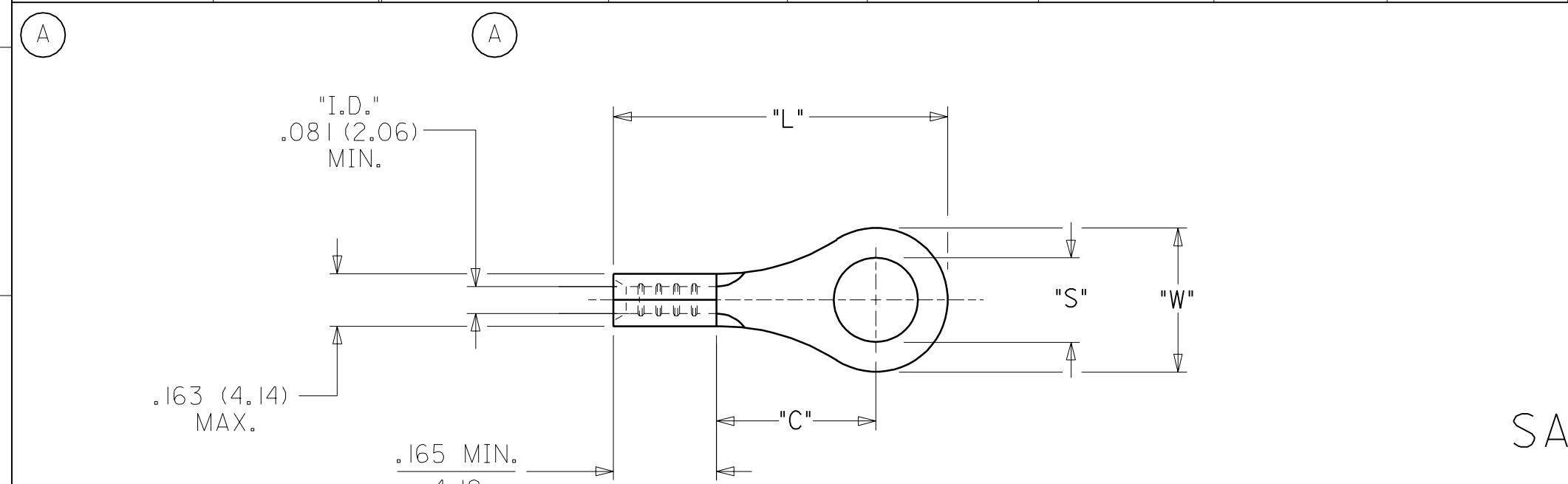
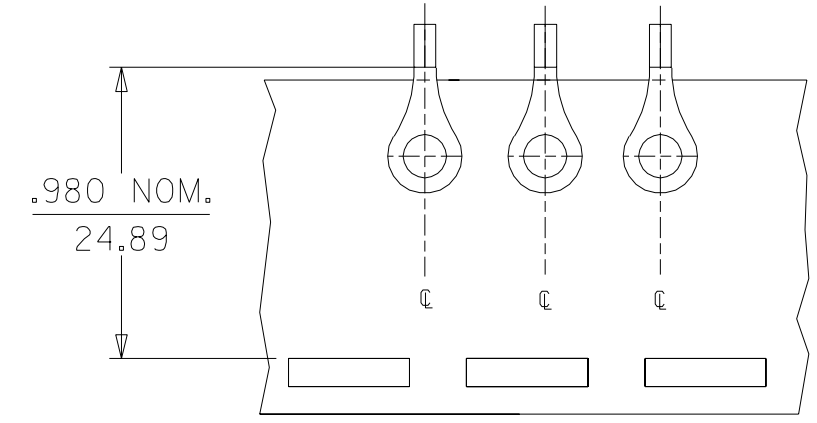
Reference - Drawing Numbers

Sales Drawing	SD-19069-013
---------------	--------------

10	9	8	7	6	5	4		
MATERIAL NO. LOOSE PIECE	ENG. NO.	MATERIAL NO. TAPE MOUNTED	ENG. NO.	STUD SIZE	±.003 "S"	"W" MAX. (A)	"C" MIN.	"L" MAX.
190690091	BB-118-10	-----	-----	10	.198 (5.03)		(A)	(A)
190690092	BB-118-14	190690133	BB-118-14T	14	.265 (6.73)	.544 (13.82)	.535 (13.59)	1.010 (25.65)
190690093	BB-118-38	190690094	BB-118-38T	56	.328 (8.33)			
190690096	BB-118-56	190690097	BB-118-56T	38	.390 (9.91)			
190690098	BB-123-02	190690134	BB-123-02T	2	.094 (2.39)			
190690099	BB-123-04	190690100	BB-123-04T	4	.119 (3.02)	.260 (6.60)	.209 (5.31)	.560 (14.22)
190690101	BB-123-06	190690102	BB-123-06T	6	.146 (3.71)			
190690103	BB-123-08	190690104	BB-123-08T	8	.173 (4.39)			
190690105	BB-125-10	190690106	BB-125-10T	10	.198 (5.03)			
190690107	BB-125-14	190690108	BB-125-14T	14	.265 (6.73)	.477 (12.11)	.388 (9.86)	.837 (21.26)
190690109	BB-125-56	190690110	BB-125-56T	56	.328 (8.33)			
190690112	BB-137-06	190690113	BB-137-06T	6	.146 (3.71)			
190690114	BB-137-08	190690115	BB-137-08T	8	.173 (4.39)			
190690116	BB-137-10	190690117	BB-137-10T	10	.198 (5.03)	.322 (8.18)	.275 (6.98)	.645 (16.38)
190690119	BB-139-04	-----	-----	4	.119 (3.02)			
190690120	BB-139-06	190690138	BB-139-06T	6	.146 (3.71)			
190690121	BB-139-08	190690122	BB-139-08T	8	.173 (4.39)			
190690123	BB-139-10	190690124	BB-139-10T	10	.198 (5.03)	.352 (8.94)	.305 (7.75)	.696 (17.68)



ENG. NO. BB-118-** ONLY



SALES DRAWING

NOTE(S):
 1. MATERIAL: COPPER (.031/0.79 THICK)
 PLATING: ELECTROPLATE TIN
 WIRE SIZE: 16-14 AWG
 1.0 - 2.5 MM²

UPDATE TO MX STDS. EC NO. ETC2003-0184 DRWN: DLM 04/05/05 CHK: HB 04/05/05 APPR: RWD 04/05/05	QUALITY SYMBOLS	GENERAL TOLERANCES: (UNLESS SPECIFIED)		SCALE: NTS	DESIGN UNITS: <input type="checkbox"/> mm <input checked="" type="checkbox"/> INCH	THIRD ANGLE PROJECTION: <input checked="" type="checkbox"/> THIRD ANGLE <input type="checkbox"/> FIRST ANGLE	DIMENSIONS: <input type="checkbox"/> mm <input checked="" type="checkbox"/> INCH <input type="checkbox"/> mm ONLY	SHT	REV	
	MAJOR: ▽ = ∅	mm	INCH	DRAWN BY & DATE: DLM 03/02/21		TITLE: RING TONGUE TERMINAL KRIMPTITE 16-14 AWG				
	CRITICAL: ▽ = ∅	4 PLACES ±0.----- ±.-----	3 PLACES ±0.--- ±.005	2 PLACES ±0.13 ±.010	1 PLACE ±0.25 ±.---	CHECKED BY & DATE: SB 03/02/21		APPROVED BY & DATE: RWD 03/02/21		
	DESCRIPTION	ANGULAR: ±1/2°		CAD FILENAME: SD19069013.DGN		MATERIAL NO. (SEE CHART)		DRAWING NO. SD-19069-013		SHEET NO. 1 OF 1
REV	DRAFT WHERE APPLICABLE MUST REMAIN WITHIN DIMENSIONS		THIS DRAWING CONTAINS INFORMATION THAT IS PROPRIETARY TO MOLEX INCORPORATED AND SHOULD NOT BE USED WITHOUT WRITTEN PERMISSION.							